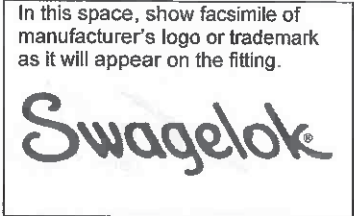


**STATUTORY DECLARATION
Registration of Fittings**
Single or Multiple Fitting Designs within one Fitting Category

I, Joel Feldman, Vice President, Engineering
(name of applicant) (position title) (must be in a position of authority)
of Swagelok Company
(name of manufacturer)
located at 29500 Solon Road, Solon, Ohio 44139 USA (see Attachment A)
(plant address)



do solemnly declare that the fittings listed hereunder, which are subject to the Safety Codes Act (select only one)

- comply with the requirements of ASME B31.3 Chap. IX which specifies the dimensions, (title of recognized North American Standard) materials of construction, pressure/temperature ratings and identification marking of the fittings, or
- are not covered by the provisions of a recognized North American standard and are therefore manufactured to comply with _____ as supported by the (title of code of construction or other applicable document) attached data which identifies the dimensions, materials of construction, pressure/temperature ratings and the basis for such ratings, and the identification marking of the fittings.

I further declare that the manufacture of these fittings is controlled by a quality control program which has been verified as described in the below Table as being suitable for the manufacturing of these fittings to the stated standard, regulation, code, guideline or other applicable document. The fittings covered by the declaration for which I seek registration are as provided in the Supplementary Sheet(s) attached.

Quality Program Verification and Manufacturing Sites

A copy of the Quality Certificate from each manufacturing site must be included

Item #	Product Description, Model or Series	Quality Program	Scope of Certification	Expiry Date	Verifying Organization	Location(s) Plant Name and address
1.	FKB Medium-Pressure Ball Valves	ISO 9001-2015 certificate no. FM 01729	As noted on certificate no. FM 01729. Please visit www.Swagelok.com to view our current ISO 9001-2015 certificate.		BSI	As noted on certificate no. FM 01729, posted on www.Swagelok.com .
2.						

In support of this application, the following information, calculations and/or test data are attached:

A Code Compliance summary and testing relevant to the products outlined in Attachment B. Scope of Registration **

[Signature] (Signature of the Declarer)

7/27/2022 (Date)

DECLARED before me at Solon in the Cuyahoga of OHIO

this 27 day of July, 2022

(print) Shanon Everett (a Commissioner of Oaths or Notary Public)

(sign) Shanon Everett (a Commissioner of Oaths or Notary Public)

December 30, 2022 (expiry date (mm/dd/yy))



Shanon Everett Notary Public, State of Ohio Expires December 30, 2022

Commissioner of Oaths / Notary Public in and for: OHIO (province, territory, or state)

For ABSA Office Use Only:

NOTES: ** The scope of this registration include renewal only. See attached A and B for a list of manufacturing locations and scope of registration.

Administrative form with fields for CRN, Registered Date (2022-12-14), Expiry Date (2032-06-14), and Signature of the Administrator/SCO.

ABSA stamp containing registration details: 2022-07114, SAFETY CODES ACT - PROVINCE OF ALBERTA, ACCEPTED: OC15674. 52, See acceptance letter for conditions of registration, Date: 2022-12-14, By: Ashling Dick, P. Eng.

Table 1 Scope of Fitting Designs**

Item #	Primary Pressure Bearing / Retaining Component	Material of Construction	Port Connections and Size Range	MDMT	Rated Pressure		Pressure Class(es) / Schedule(s)	Design Code(s) of Construction	Reference Catalogue (pages) or Drawing(s)
					At Ambient Temperature	At Maximum Temperature			
See Attachment B. Scope of Registration for FKB Medium-Pressure Ball Valves									

Table 2 Additional Scope Information

List/Attach Additional Detail and References (Product Configurations, Options, Illustrations, etc.) See Attachment B. Scope of Registration noted above
Example: Series X Options

** For additional alternatives of Table 1, refer to Form AB-41a, Guide for Completing Form AB-41

2022-07114

Tracking #: _____

Attachment B. Scope of CRN Registration for Swagelok FKB Series Medium Pressure Ball Valves (Category C)

This document represents the scope of the FKB Series Medium Pressure Ball Valves, covered by this submission for CRN approval. These products were designed and evaluated in accordance with ASME B31.3-2020 Chapter IX for unlisted components.

Summary Table

Product Series	Main Pressure Bearing Component	Main Pressure Bearing Material (Standard)	Port Connections and Sizes	Maximum Rated Pressure (psig)		Design Code of Construction
				At 0 to 100°F	At maximum temperature	
6FKB (2-way) and (3-way)	Body	316 SS (ASTM A479)	Medium Pressure Tube Fitting 1/4", 3/8", 1/2" Female NPT 1/4", 3/8", 1/2"	15,000	15,000 at 250°F	ASME B31.3, Chapter IX (Unlisted Components)
8FKB (2-way) and (3-way)	Body	316 SS (ASTM A479)	Medium Pressure Tube Fitting 1/2", 9/16" Female NPT 1/2"	15,000	15,000 at 250°F	
12FKB (2-way)	Body	316 SS (ASTM A479)	Medium Pressure Tube Fitting 3/4"	15,000	15,000 at 250°F	
			Female NPT 3/4"	10,000	10,000 at 250°F	

Product Illustration

Innovative stem seal design

- maintains full pressure rating throughout the entire operating temperature range

Bottom-loaded stem design

- eliminates stem blowout and enhances operator safety.

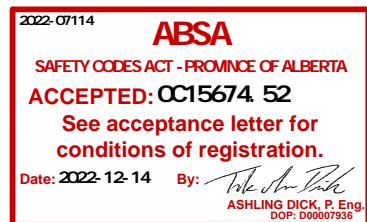
Trunnion-style ball with innovative direct-load design

- seals consistently across a full range of pressures, even if system is depressurized and repressurized
- ensures reliable operation for improved actuation of control systems.

Swagelok medium-pressure tube fitting end connections

- reduce valve installation time and cost
- provide robust tube grip and vibration resistance.

Directional handle

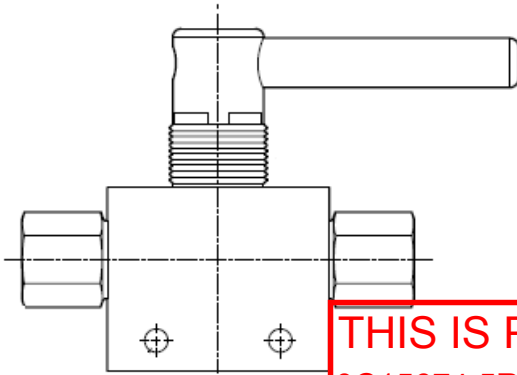


This stamp and signature have been affixed electronically to this registered design as required by Section 20(1) of the Pressure Equipment Safety Regulation, in accordance with the Electronic Transactions Act.

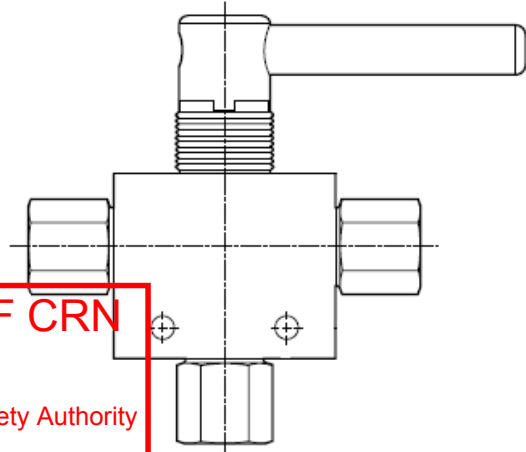
Configurations

Valves are available in 2-way and 3-way pattern, and either manually or pneumatically actuated.

2-Way (On-Off) Valve



3-Way (Switching) Valve



THIS IS PART OF CRN
0C15674.5R1
Technical Standards and Safety Authority
Boilers and Pressure Vessels Safety
Program

Typical Product Characteristics:

Some of the product options listed below affect pressure and/or temperature ratings shown in the above Summary Table, but in all cases the ratings are less than those shown in the table. All of the following options are within the scope of this approval.

O-ring Stem Seal Options

HNBR Nitrile
Perfluorocarbon FFKM

Additional options and non-pressure boundary alterations that do not affect pressure-temperature ratings may be made available within the scope of this registration. Examples of these would include handle options, actuator options, etc.

Quality System

The Swagelok Company quality system complies with the requirements of ISO 9001:2015. The Swagelok Company maintains BSI Certificate of Registration Number FM 01729, which applies to all locations listed on the Certificate.

References

The product catalog below does not represent the full scope of the registration but rather details some of the most common options.

- Medium- and High-Pressure Fittings, Tubing, Valves, and Accessories Product Catalog MS-02-472 Rev R